

# Smart Unit

智能移开式金属封闭开关设备

**Intelligent  
Withdrawable  
Metal-enclosed  
Switchgear**

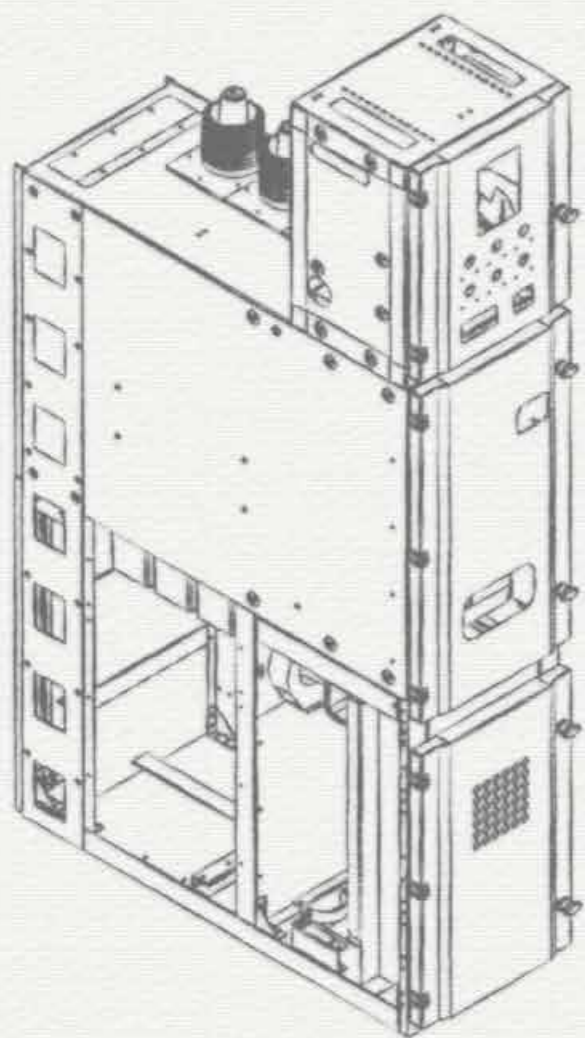




**尊重自己 请勿仿冒!**  
Counterfeiting Not Allowed!

一味模仿和抄袭，只能将国内开关行业陷入同质化的低水平竞争，只能使“中国制造”彻底丧失创新的动力和能力。

中国开关制造行业未来能到达的高度，并不会受制于我们今天所在的位置，而一定取决于我们前行的姿态。自律才会自重，自尊方能自强！明及电气愿与致力于中国创造的竞争伙伴企业一道共同前进！



明及与祖国一起成长  
Mecan grow together with the motherland

## 目录 Contents

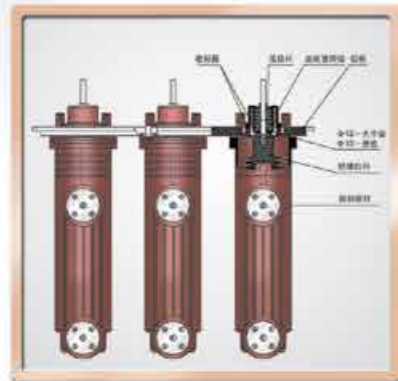
产品概述	Overview	04
技术特点	Technical Characteristics	06
产品结构	Product Structure	08
产品介绍	Product Introduction	10
技术优势	Structural Advantages	12
技术参数	Technical Parameters	14
设备选型	Equipment Selection	16
典型方案组合	Typical Portfolio	18
外形尺寸	Dimensions	19
隔离刀结构	Isolating Structure	20
地基图	Foundation Drawing	21

# 技术无止境，我们正在继续努力！

与我们已经生产的十多万台断路器产品相比，  
更让我们自豪的是这十五年来一点一滴的不断创新……



VCM  
2008



动密封技术：创新的动密封结构设计  
保障用于充气柜断路器可靠运行。



VBM  
SmartEx  
2010



VBM PRO  
2010



Smart在线监测技术：创新的在线监测  
技术，实现断路器智能化。



VBM PRO 12  
2012



VBM PRO 19  
2015



Smart Unit  
2016



VBM 16  
2007



VBM 15  
2007



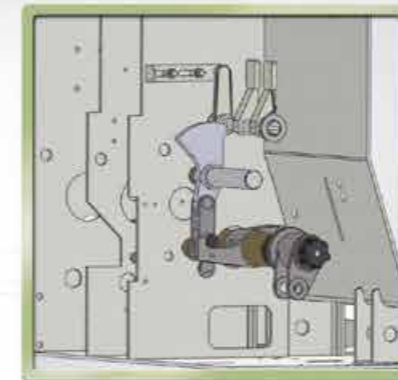
全封闭脱扣电磁铁：创新的结构形式，  
保证电磁铁线圈不受潮。



VBM 10  
2007



K6  
2007



创新的合闸保持单元：合闸保持动作  
原理可靠，从根本上杜绝了合闸动作  
故障。



VBM 9  
2005



VBM 8  
2004

VS1：明及核心团队研发的  
第一款真空断路器产品，  
全国数百家制造商累计生  
产逾百万台。



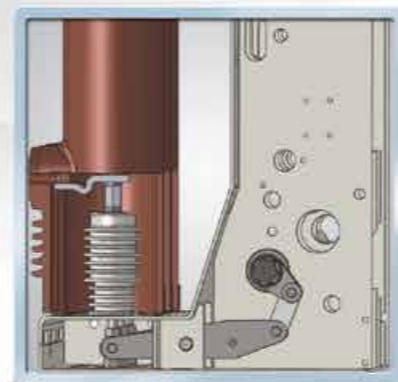
VS1  
1995



VBI  
1998



VBM 4  
2001



超程可调：创新的主导电回路与操动  
机构连接方式，方便超程调整和维  
护，便于提高三相合分闸的同期性。



VBM 5  
2002



VBM 7  
2003



主回路侧装置：断路器ABC三相采  
用前中后的布置形式，断路器整机宽  
度尺寸大幅缩小。



DM6  
2004

# Overview

## 产品概述



开关柜用固体绝缘母线系统  
Solid isolated bus system for switchgear



固体绝缘的断路器与  
隔离开关的组合电器  
Combined electrical apparatus of  
solid insulated circuit breaker and  
isolating switch



Smart Unit Intelligent Withdrawable Metal-enclosed Switchgear cabinet is from Mekan Electric, introduced a new generation to meet the electricity market demand for high-quality, environmentally friendly RMU.

### A new generation of Switchgear

Smart Unit intelligent withdrawable metalenclosed switchgear is a setof the outer solid seal, insulated bus and combination unit miniaturization three technologies in one, switches and high-voltage live rts with epoxy resin for the whole cast, solid epoxy resin sealed as a charged body In contrast, hase insulation new distribution equipment.

Smart Unit withdrawable fully-enclosed switch cabinet designed and produced by Mekan Electric recyclable and pollution-free materials. pollution-free solid materials, including a charged body insulation and the realization of the switch interrupter, do not emit any toxic substances, no gas is released into the atmosphere, no hidden leak explosion and internal arcing, which has a high insulation performance, small size, high overall strength, maintenance-free technical characteristics, to achieve a true sense of the zero-emission, zero pollution green products.

## 试验

Smart Unit智能移开式金属封闭开关柜已经通过以下的各种试验，可以确保其在正常使用条件下安全运行。

- 型式试验：绝缘试验、温升、短时和峰值耐受电流、短路电流开断能力和短路关合能力、电缆充电电流、防护等级、电寿命和内部燃弧试验，以及固体绝缘组件的环境试验。
- 出厂试验：机械特性测试、主回路min工频耐压试验、辅助回路工频耐压试验、主回路电阻测试、联锁试验、固封组件局部放电测量，以及机械和电气操作试验。

## 应用场合

- Smart Unit智能移开式金属封闭开关柜是明及公司为适合未来电网对产品技术可靠性和绿色环保的发展趋势，而推出的全新一代开关柜，其具有高水平的运行安全性，系SF6开关柜的完美替代解决方案，适应于智能电网应用，可广泛应用于12kV二次配电系统，用于中压电缆线路的分段、联络及分接负荷；并且该系统具有灵活、完备的解决方案，用户可根据使用需要进行任意方案的组合和选型。

## 主要应用场所

- 二次配电系统，用户变电站，电力系统  
系统和公用设施的变电站和开关站
- 二次变电站
- 工矿企业
- 数据中心
- 高层建筑
- 风力发电
- 中小型发电站
- 机场
- 商场
- 污水处理
- 地铁
- 应急供电系统

## Test

Smart Unit intelligent withdrawable metal -enclosed switchgearhas passed the following test. To ensure safe operation under normal conditions of use.

- Type test, insulation test, temperature rise, short-term tolerance and peak current, short circuit current, open circuit and short circuit close, cable charging current, protection grade, electrical endurance and internal arc test, and environmental testing of solid insulation component.
- Routine tests: mechanical property test, main circuit power frequency withstand voltage test, auxiliary circuit power frequency withstand voltage test, main circuit resistance test, interlock test, sealing components, partial discharge measurement, as well as mechanical and electrical operation test.

## Applications

- Smart Unit intelligent withdrawable metal-enclosed switch cabinet is a new generation switch cabinet launched by Mekan Electric to suit the development trend of product technology reliability and environmental protection for the grid in the future. The cabinet has high level of operating safety, is suitable for intelligent grid application, and can be applied to 12kV secondary power distribution system extensively and MV cable line segmentation, contact and tapping load; in addition, this system has flexible and complete solution. Users can carry out combination and type selection of any scheme based on their needs.

## Main applications

- Secondary power distribution systems, users;substations, power systems and substations and switching stations of public utilities
- Secondary substations
- Industrial and mining enterprises
- Data center
- High-rise buildings
- Wind power generation
- Small and medium-sized power stations
- Airports
- Stores
- Sewage treatment
- Subway
- Emergency power supply systems

Smart Unit智能移开式金属封闭开关设备的全套技术由明及电气公司自主研发，为满足中国电力市场对高品质、环保型开关柜的需求，而推出的新一代开关柜。

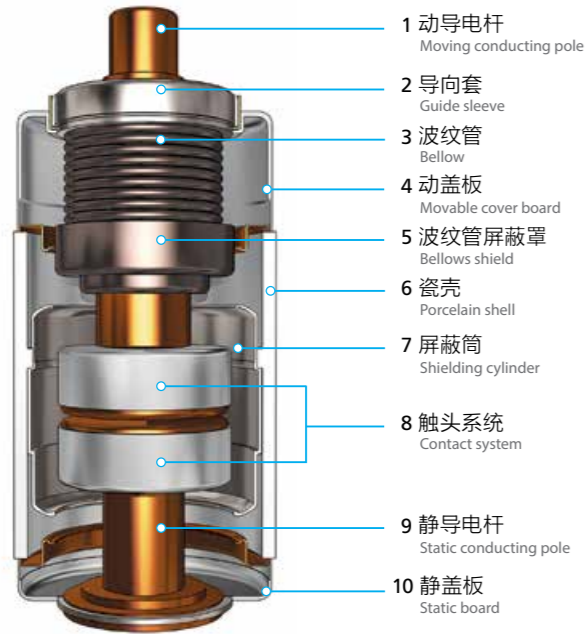
## 新一代开关柜

Smart Unit智能移开式金属封闭开关柜是一种集外固封、绝缘母线及组合单元小型化三种技术于一体，开关及高压带电部件采用可回收塑料进行整体浇注，以可回收塑料固封作为带电体相对地、相间绝缘的新型配电设备。

明及电气公司设计生产的Smart Unit智能移开式金属封闭开关柜所使用的材料全部选用可回收性、无污染的固体材料，包括一次带电体的绝缘和开关灭弧的实现，不会排放任何有毒物质，更没有任何气体释放到大气中，无漏气爆炸和内部燃弧的隐患，其具有绝缘性能高、体积小、整体强度高、免维护等技术特点，实现了真正意义上的零排放、零污染的绿色环保产品。

# Technical Characteristics

## 技术特点



真空灭弧室剖视图

Vacuum arc-extinguishing chamber cutaway view

### 真空技术特点

- Smart Unit智能移开式金属封闭开关柜选用的断路器的灭弧介质选用真空介质，采用固封式真空灭弧室。
- 独特的纵磁R触头电场优化设计；
- 分断短路电流能力强、重燃率低、可靠性高；
- 完全一次封排工艺；
- 高稳定质量的陶瓷金属化工艺；
- 不锈钢直接钎焊工艺。

### Vacuum Technology Characteristics

- The arc-extinguishing medium of the circuit breaker selected for Smart Unit withdrawable fully-enclosed switch cabinet is vacuum medium. The solid encapsulated vacuum arc-extinguishing chamber is used.
- Unique electric field optimization design with longitudinal magnetic R contact.
- Strong capacity of breaking short-circuit current, low rate of reignition and high reliability.
- One-time seal-exhaust process.
- Ceramic metallization process of high and stable quality.
- Direct welding process of stainless steel.

### 绿色环保

### Green



Smart Unit 所使用材料全部为可回收无污染环保材料。

All materials of Smart Unit are recyclable and pollution-free environment-friendly materials.

### 简洁紧凑

### Simple and Compact



同类开关柜产品中体积最小的产品之一，因此在新建变电站和改造项目中能带来突出的经济效益。

It is one of the products with the smallest volume among similar types of products. Therefore, it can bring outstanding economic benefit for newly built substations and transformation projects.

### 安全可靠

### Safe and Reliable



全封闭金属外壳，相对地和相间采用可回收塑料和硅橡胶实现全绝缘，防护等级IP67；方便查看隔离断口，确保运行人员操作安全；无压力元件，无需泄漏检测等运行安保措施。

Recyclable plastic and silicon rubber are used for fully-enclosed metal case and phase to ground and phase to phase to achieve full insulation, with the level of protection of IP67; facilitate checking isolating fracture, and ensure operating safety of operating personnel; no pressure element, without the need of operating security measures such as leakage detection.

### 智能

### Intelligent



具备配网各种自动化运行保护装置、以及确保设备安全运行的在线监测装置，确保Smart Unit 可以在全自动化电力网络中安全运行。

It has distribution network, various types of automated operation protection devices and online monitoring devices ensuring safe operation of equipment, to ensure that Smart Unit can operate safely in fully automated power network.

### 特殊应用

### Special Applications

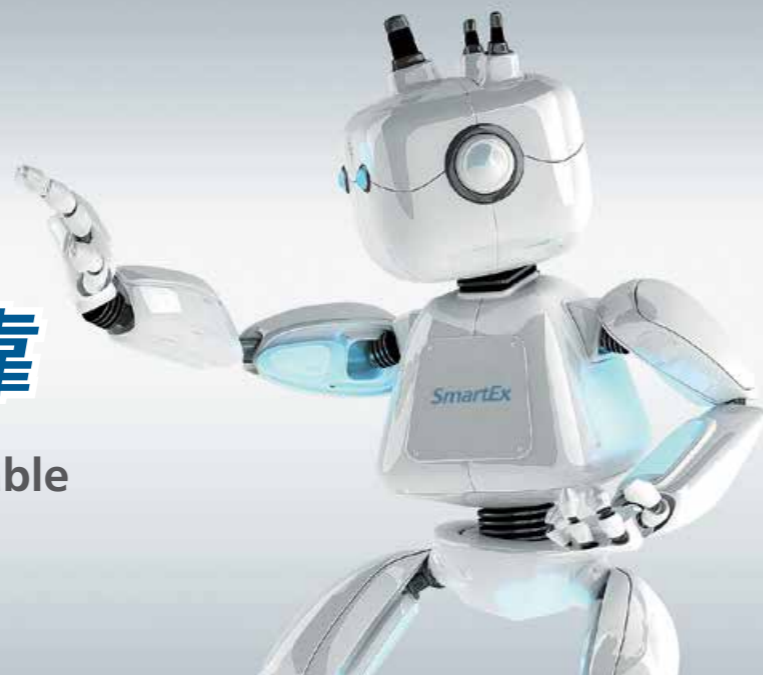


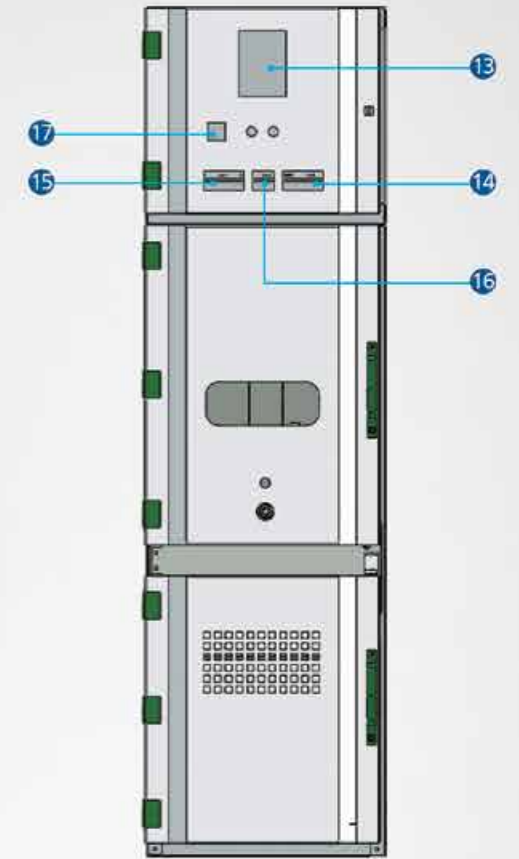
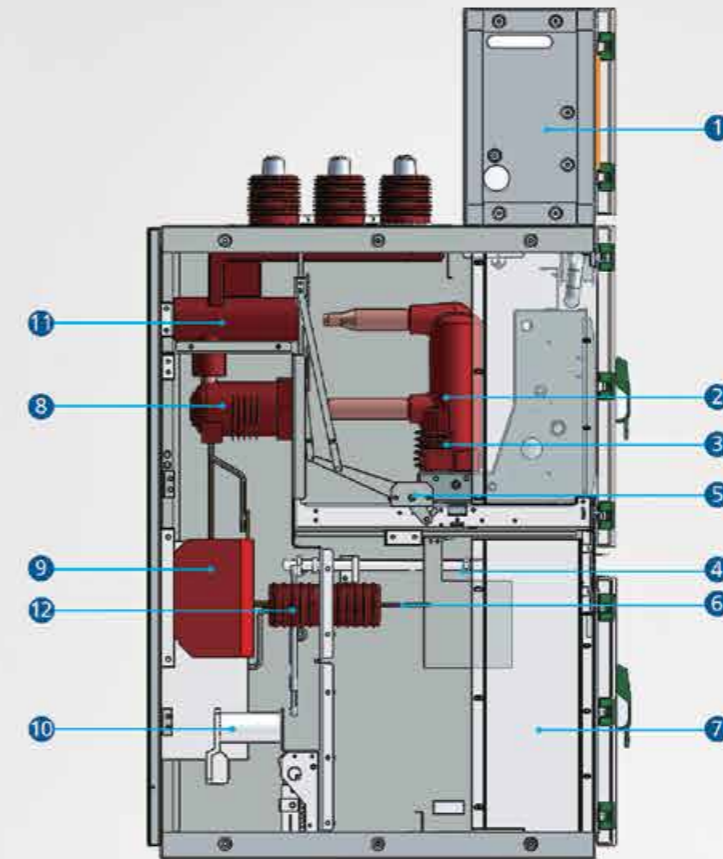
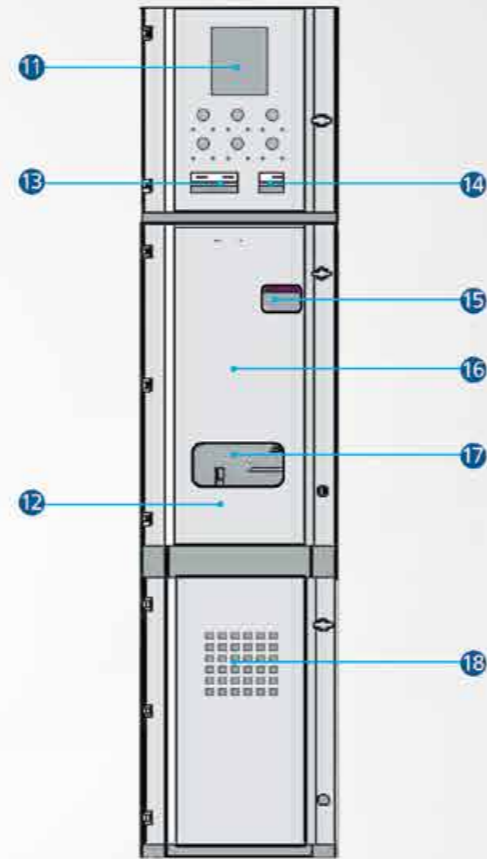
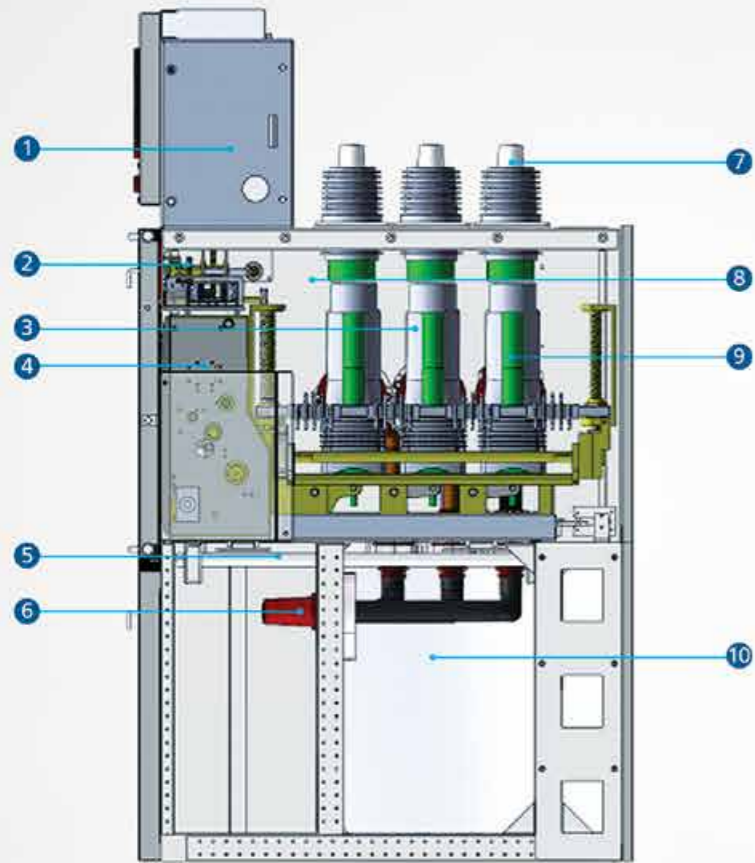
可以安全运行于高海拔、盐雾潮湿、低温寒冷、安全防爆或者高环保要求的各种特殊使用场所。

Safe operation in high altitude, salt spray wet, low temperature cold, safety explosion-proof or advanced high environmental requirements of various special place.

# 绿色环保 安全可靠

## Green Safe and Reliable





- ① 低压室单元  
Low pressure room unit
- ② 隔离刀操作机构  
Isolation knife operating mechanism
- ③ 真空灭弧室  
Vacuum interrupter
- ④ 断路器操作机构  
Breaker operating mechanism
- ⑤ 操作轴  
Operating shaft
- ⑥ 用于插入式连接电缆头套管  
Insert type connection cable head insulator

- ⑦ 母线  
Bus bar
- ⑧ 断路器室单元  
Breaker room unit
- ⑨ 隔离刀  
Isolation knife
- ⑩ 电缆室单元  
Cable vault unit
- ⑪ 综合保护装置  
Protective device
- ⑫ 铭牌  
Nameplate

- ⑬ 带电显示装置  
Presence indicating device
- ⑭ 温湿度控制器  
Temperature and humidity controller
- ⑮ 隔离刀头观察窗  
observation window of isolated knife head
- ⑯ 模拟牌  
Simulation card
- ⑰ 断路器合分指示观察窗  
observation window of breaker closing and opening indication
- ⑱ 电缆观察窗  
observation window of cable

- ① 低压室单元  
Low pressure room unit
- ② 真空灭弧室  
Vacuum interrupter
- ③ 断路器操作机构  
Breaker operating mechanism
- ④ 接地开关操作轴  
Operating shaft of grounding switch
- ⑤ 提门机构  
Lifting mechanism
- ⑥ 电缆接口  
Cable interface

- ⑦ 二次线护板  
Secondary line guard board
- ⑧ 触头盒  
Contact box
- ⑨ 电流互感器  
Current transformer
- ⑩ 接地开关  
Grounding switch
- ⑪ 绝缘件  
Insulation
- ⑫ 穿墙套管  
Wall bushing

- ⑬ 综合保护装置  
Protective device
- ⑭ 带电显示装置  
Presence indicating device
- ⑮ 故障指示装置  
Fault indicating device
- ⑯ 温湿度控制器  
Temperature and humidity controller
- ⑰ 转换开关  
Transfer switch



Smart Unit智能移开式金属封闭开关设备  
Smart Unit Intelligent Withdrawable Metal-enclosed Switchgear



Smart Unit智能移开式金属封闭开关设备  
Smart Unit Intelligent Withdrawable Metal-enclosed Switchgear

# Structural Advantages

## 技术优势



断路器-隔离刀组合电器

Combined electrical apparatus of circuit breaker and knife isolating switch



真空断路器

Vacuum circuit breaker

## 设计新颖

- 整个母线和电缆侧都固定在柜体中，设备中能动作的只有侧装手车式断路器。这样每个单元互不干涉，侧装手车式断路器也能抽出柜体，检修方便。
- 模块化设计：
  - ① 400mm宽700mm高的开关室，750mm高的电缆室即可组成基本用电单元；
  - ② 可根据需要配备400mm宽×500高的仪表箱
- 绝缘方式：
  - ① 采用固体绝缘与空气绝缘相结合的方式；
  - ② 隔离断口部分采用空气绝缘，三相断口清晰可见；
  - ③ 断路器部分采用固体绝缘的方式
- 连接方式：
  - ① 与主母线接触采用隔离刀头升降式的方式；
  - ② 与电缆侧接触采用前后移开式方式
- 可选择密封箱体设计方案，所有一次带电部分及主要机构完全密封在金属密封箱体中。

## Novel design

- The whole bus and the cable side is fixed on the cabinet body, only the side-mounted handcart type circuit breaker can action in the device. So that each unit does not interfere with each other and the side-mounted handcart type circuit breaker can draw out of cabinet for maintenance.
- Modular design:
  - ① The basic unit of electricity is made up of 400mm wide 700mm high switch room and 750mm high cable vault
  - ② According to the requirement, it's can equipped with a instrument box which is 400mm wide 500mm high
- Insulation
  - ① Adopting a combination of solid insulation and air insulation;
  - ② The isolating fracture uses air insulation and the fracture of three-phase clearly visible;
  - ③ The part of circuit breaker adopts the way of solid insulation
- Connection
  - ① It adopts the way of isolation knife head lift type to contact main bus-bar
  - ② It adopts the way of Before and after shift to contact the side of cable
- The sealed box design is adopted. All primary live part and the main mechanisms are fully sealed in the metal sealed box.

## 安全可靠

- 由于可触摸部位采用了屏蔽措施，杜绝了人身触电事故的发生。提高了安全使用性。完善的联锁互锁系统，三相隔离断口清晰可见，避免了误操作事故。取消了SF6气体的应用，避免了SF6环网柜因气体压力不足造成绝缘性能和灭弧能力下降引发爆炸事故。强化相间隔离结构。避免相间或多回路短路而扩大或引发爆炸事故。采用具有防爆性能的真空灭弧室，开关套筒对开关具有进一步防护性能。
- 具有多种机械及电气联锁，满足国家标准对产品“五防”联锁的要求，防止操作人员误操作，保障产品安全、可靠的运行。
- 采用计算机优化设计，防内部燃弧理念，在位于柜体后下部专门设计的泄压盖板压力释放通道，一旦发生内部燃弧，可通过泄压通道引导内部燃弧泄压，为操作人员提供最大的安全性保障，并且尽可能地控制故障影响范围。

## Safe and reliable

- Due to the touch area uses shielding measures, which prevent the occurrence of personal electric shock accident and improve the safety in use. Perfect interlock interlocking system, three-phase isolation fracture clearly visible. To avoid the misuse of the accident, it abolished the application of SF6 gas which avoid explosion accident of SF6 ring network cabinets due to insufficient gas pressure cause the decline of insulation performance and arc extinguishing ability. It enhanced phase separation structure and avoided phase to phase or multi-loop short circuit to expand or cause explosion accident. The vacuum interrupter with explosion-proof function is adopted, and switch sleeve has further protection performance on switch.
- Several types of mechanical and electrical interlocks satisfy the national requirements on "five-prevention" interlock of products, and prevent misoperation by operators, and ensure product safety and reliable operation.
- The idea of internal arcing prevention with computer optimized design is adopted, located in the specially designed pressure relief cover plate pressure release channel at the bottom of the cabinet. Once internal arcing occurs, guide internal arcing pressure relief through pressure relief channel, providing maximum safety guarantee for the operators and controlling fault influence range as far as possible.

## 绿色环保

- 产品制造中所选用的材料全部是无毒无害物质，使用中也不会排出任何有毒有害物质，材料经寿命周期后可以再回收利用，决定了使用的环保性。

## Green environmental protection

- All materials used in the manufacture of products are non hazardous, and the use of which will not discharge any poisonous and harmful substances. Materials can be recycled after life cycle, which determine the use of environmental protection.

## 功能齐全

- 方案系列化完整，用户可根据选型需要，任意灵活地进行组合。
- 柜体结构设计紧凑，整机外形尺寸小，安装占地面积小，并且非常方便进行安装和维护。

## Full functioning

- The scheme has complete series. Users can combine flexibly at will according to type selection demand.
- The cabinet structure is of compact design. The outline dimension of the complete machine is small, and installation floor area is small, and installation and maintenance are very convenient.

## 智能组件

- 可选配确保电气设备安全运行的在线监测装置，实时反映开关设备的运行状态。

## intelligent component

- On line monitoring device for the safe operation of electrical equipment is adopted, which can reflect the running state of the switch gear in real time.



# Technical Parameter

## 技术参数

### 正常使用环境条件

Normal ambient condition

环境温度 / Ambient temperature

最高温度 / Maximum temperature: + 45°C

最低温度 / Minimum temperature: - 5°C

### 环境湿度

Ambient humidity

最大平均相对湿度 / Maximum average relative humidity

日平均相对湿度 / Daily mean relative humidity: ≤95%

月平均相对湿度 / Monthly mean relative humidity: ≤90%

### 海拔高度

Height above sea level

≤1000米/ m

### 抗震能力

Seismic resistant capacity

≤8度/ magnitude

### 防护等级

Protection class

开关柜外壳 / Switchgear enclosure: IP4X

### 特殊工作条件

Special working conditions

当使用环境为高海拔、高湿度等其他特殊环境条件时，请与公司协商相关的制造技术。

In case of special working conditions such as high altitude, high humidity and others, please negotiate with the company on relevant manufacturing technology.

## 技术标准

### Technical standards

Smart Unit 产品设计主要遵循的标准如下：

Smart Unit product design mainly follows the standards as below:

IEC 60265-1	Switches
IEC 60298	Metal-Enclosed Switchgear and Controigeart
IEC 62271-100	Circuit-Breakers
IEC 62271-102	Disconrentors and Earthing Switches
GB1984-2003	高压交流断路器 High-voltage Alternating-current Circuit-breakers
GB3906-2006	3.6 ~ 40.5kV交流金属封闭开关设备和控制设备 Alternating-current Metal-enclosed Switchgear and Control Gear for Rated Voltages above 3.6 kV and up to and including 40.5 kV
GB3804-2004	3.6 ~ 40.5kV高压交流负荷开关 High-voltage Alternating-current Switches for Rated Voltage above 3.6 kV and less than 40.5 kV
GB16926-2009	高压交流负荷开关-熔断器组合电器 High-voltage Alternating Current Switch-fuse Combinations
GB1985	高压交流隔离开关和接地开关 High-voltage Alternating-current Disconnectors and Earthing Switches
DL/T402-2007	高压交流断路器订货技术条件 Specification of High-voltage Alternating-current Circuit-breakers
DL/T403	12 ~ 40.5kV高压真空断路器订货技术条件 HV Vacuum Circuit-breaker for Rated Voltage 12kV to 40.5Kv
DL/T486-2000	高压交流隔离开关和接地开关 High-voltage Alternating-current Disconnectors and Earthing Switches

## 技术参数列表

### List of Technical Parameters

项目 Item	单位 Unit	参数 Parameters data
常规参数 Rated voltage		
额定电压 Rated voltage	kV	12
工频耐受电压( 1min) Power frequency withstand voltage (1min)	kV	42 (相间/相对地), 48 (隔离断口) 42 (phase to phase/phase to ground), 48 (isolating fracture)
雷电冲击电压(峰值) Lightning impulse voltage (peak value)	kV	75 (相间/相对地), 85 (隔离断口) 75 (phase to phase/phase to ground), 85 (isolating fracture)
额定频率 Rated frequency	Hz	50
内部燃弧耐受电流 Internal arcing withstand current	kA/s	25/1
母线系统 Bus system		
额定电流 Rated current	A	630/1250
额定短时耐受电流 Rated short-time withstand current	kA/s	25-4s 31.5-4s
额定峰值耐受电流 Rated peak withstand current	kA	50/63
断路器单元 Circuit breaker unit		
额定电流 Rated current	A	630/1250
额定短路开断电流 Rated short circuit breaking current	kA	25/31.5
额定短路关合电流 Rated short-circuit making current	kA	63/80
额定短时耐受电流 Rated short-time withstand current	kA/s	25-4s 31.5-4s
额定容性电流开断等级 Rated capacitive current breaking grade		C2
额定电缆充电开断电流 Rated cable-charging breaking current	A	31.5
额定短路开断电流开断次数 Break times for rated short drop out current		E2
额定操作顺序 Rated operating sequence		O - 0.3S - CO - 180s - CO
断路器机械寿命 Circuit breaker's mechanical life		30000或50000 (根据所选断路器) 30000 or 50000 (According to the selected circuit breaker)
三工位隔离开关机械寿命 Three-position isolating switch's mechanical life		M1 3000

# Equipment Selection

## 设备选型

方案编号 Item	001	002	003	004	005
典型一次方案 PrimaryScheme					
额定电流 (A) Rated current	630-1250	630-1250	630-1250	630-1250	630-1250
主开关 Switcgear	断路器 Circuit breake	1	1	1	1
	隔离开关 Isolating switch				
电流互感器 Current transformer	3	2	2	3	3
电压互感器 Voltage transformer					
带电显示 Voltage indicator	1	1	1	1	1
避雷器 Arrester			1		
外形尺寸 (W×D×H) Dimensions	550×1340×2200	550×1340×2200	550×1340×2200	550×1450×2200	550×1340×2200
用途 Use	进线柜 Line counters	进线柜 Line counters	进线柜 Line counters	架空进线柜 Overhead Entering Line Cabinet	母联柜 Bus coupler cabinet

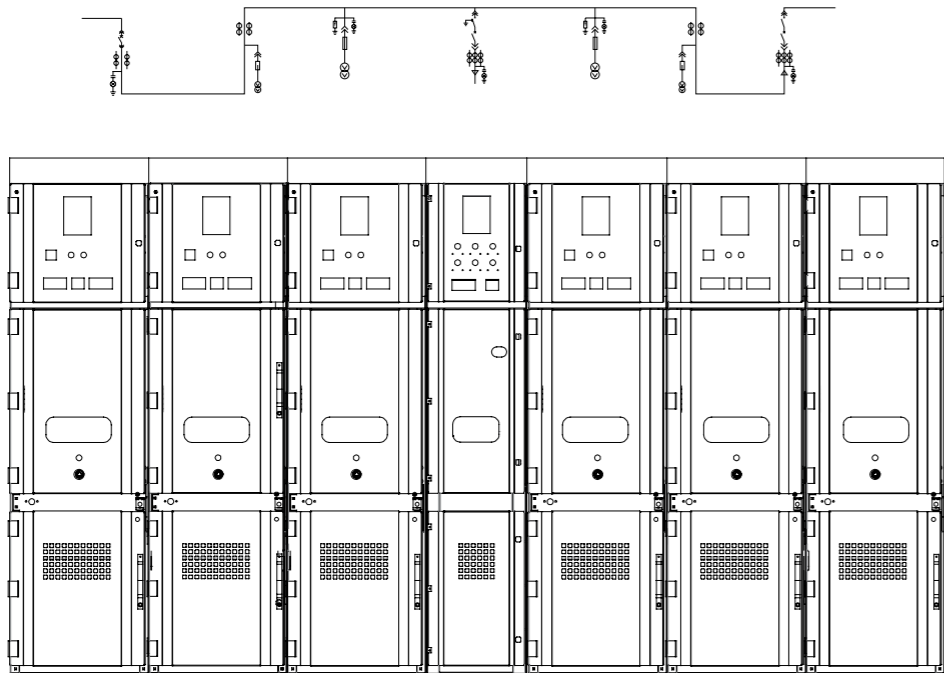
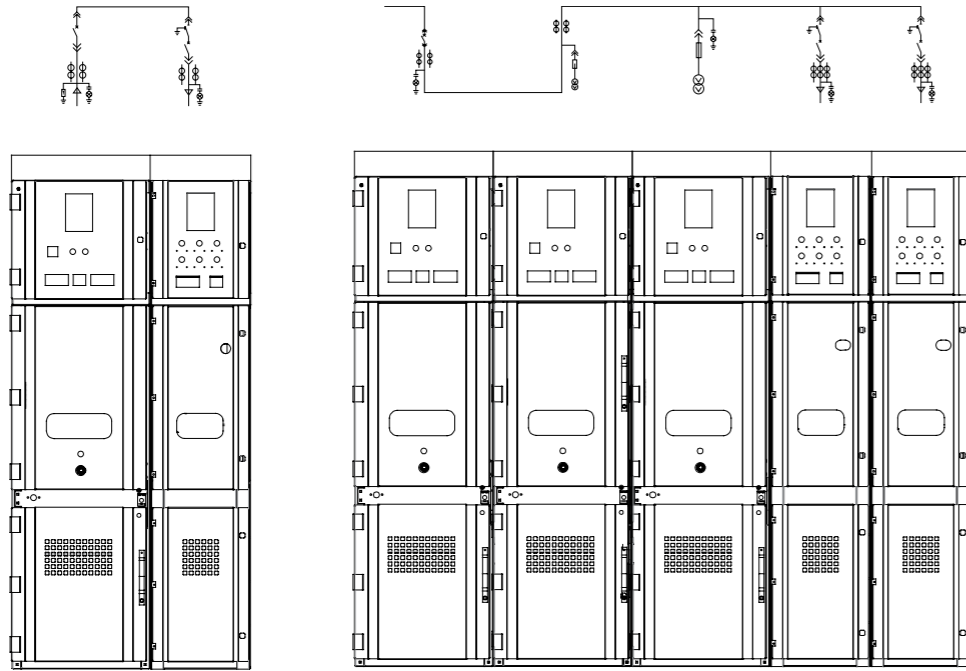
方案编号 Item	006	007	008	009	010
典型一次方案 PrimaryScheme					
额定电流 (A) Rated current	630-1250	630-1250	630-1250	630-1250	630-1250
主开关 Switcgear	断路器 Circuit breake	1	1	1	
	隔离开关 Isolating switch				1
电流互感器 Current transformer	3	3	2		
电压互感器 Voltage transformer					
带电显示 Voltage indicator	1	1	1	1	1
避雷器 Arrester		1	1	1	
外形尺寸 (W×D×H) Dimensions	550×1340×2200	550×1340×2200	550×1340×2200	550×1340×2200	550×1340×2200
用途 Use	母联柜 Bus coupler cabinet	出线柜 Outlet cabinet	出线柜 Outlet cabinet	隔离柜 Isolation cabinet	分段隔离柜 Sectional isolation cabinet

方案编号 Item	011	012	013	014	015
典型一次方案 PrimaryScheme					
额定电流 (A) Rated current				630-1250	630-1250
主开关 Switcgear	断路器 Circuit breake				
	隔离开关 Isolating switch				
电流互感器 Current transformer				3	3
电压互感器 Voltage transformer	2	3	2	2	2
带电显示 Voltage indicator	1	1	1	1	1
避雷器 Arrester	1	1			
外形尺寸 (W×D×H) Dimensions	550×1340×2200	550×1340×2200	550×1340×2200	550×1340×2200	550×1340×2200
用途 Use	PT柜 PT	PT柜 PT	PT转接柜 PT Adapter Cabinet	计量柜 Metering cabinet	计量柜 Metering cabinet

方案编号 Item	016	017	018	019	020
典型一次方案 PrimaryScheme					
额定电流 (A) Rated current	630	630	630	630-1250	630-1250
主开关 Switcgear	断路器 Circuit breake	1	1	1	
	隔离开关 Isolating switch	1	1	1	
电流互感器 Current transformer	3	3	2		
电压互感器 Voltage transformer					
带电显示 Voltage indicator	1	1	1	1	1
避雷器 Arrester		1	1		
外形尺寸 (W×D×H) Dimensions	400×1340×2200	400×1340×2200	400×1340×2200	400×1340×2200	400×1340×2200
用途 Use	出线柜 Outlet cabinet	出线柜 Outlet cabinet	出线柜 Outlet cabinet	母联转换柜	直连柜

# Typical Portfolio

## 典型方案组合

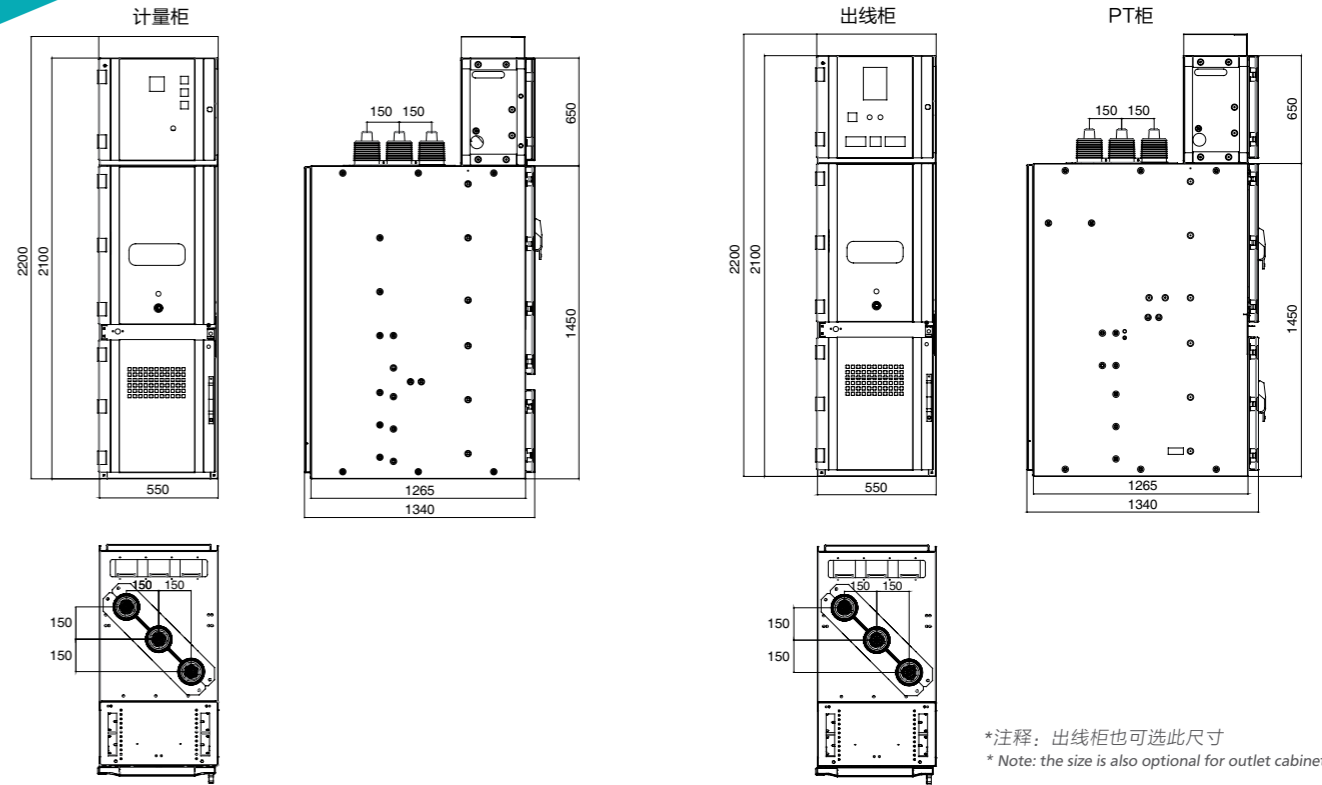


# Dimensions

## 外形尺寸

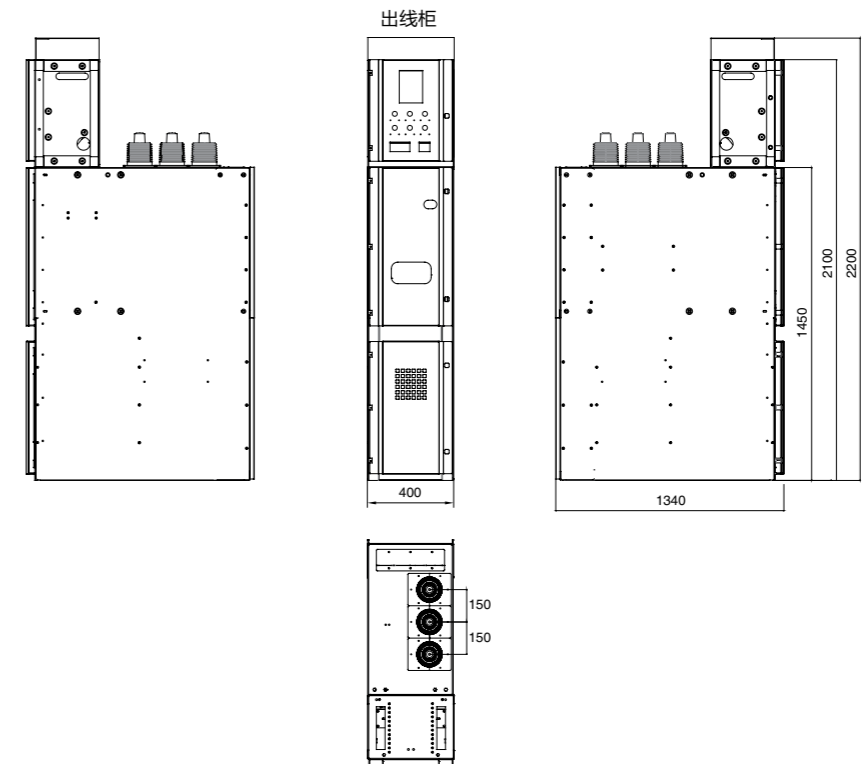
出线柜外形尺寸  
Outline cabinet dimensions

进线柜外形尺寸  
Line counters dimensions



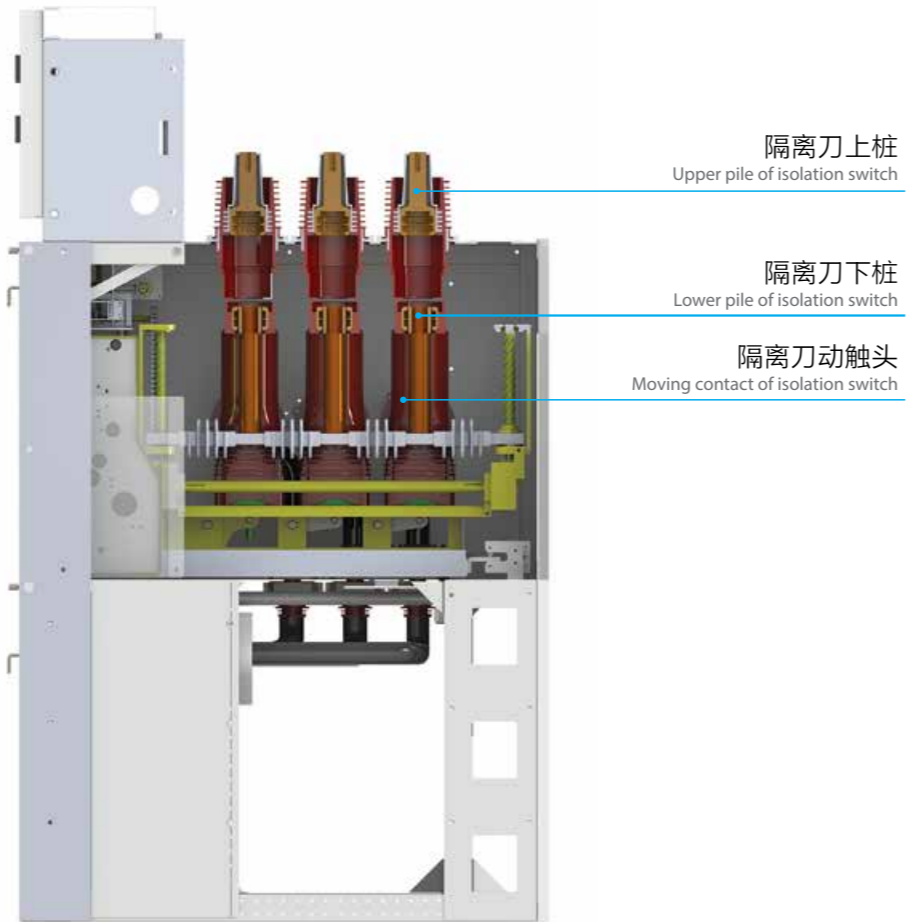
\*注释：出线柜也可选此尺寸  
\* Note: the size is also optional for outlet cabinet

计量柜外形尺寸  
Measuring cabinet dimensions



# Isolating Structure

## 隔离刀结构



### 隔离刀特点

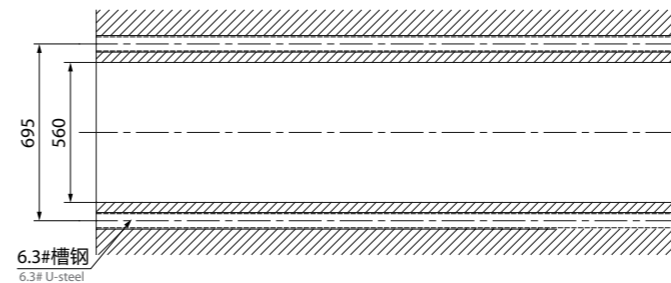
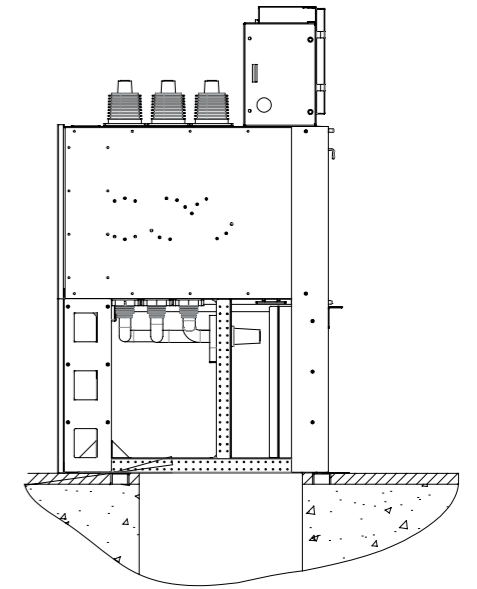
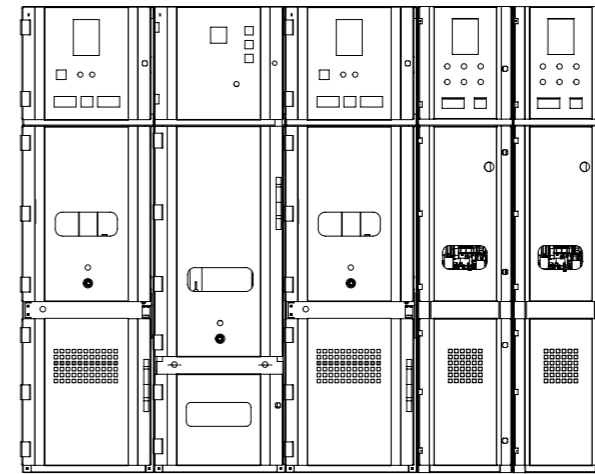
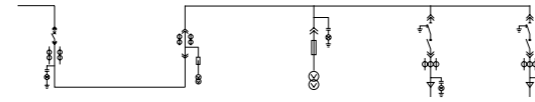
- 采用隔离刀与断路器一体化设计方案
- 隔离刀为管装直动式隔离刀
- 上下静刀头均置于塑料绝缘筒内
- 隔离刀配有手动电动一体的操作机构
- 隔离刀采用可视化端口设计，通过柜门前端观察窗可以清楚观察隔离刀闸的位置状态

### Isolation switch characteristics:

- Isolation switch and circuit breaker integrated design scheme is adopted
- Isolation switch is the direct-acting type isolation switch installed in tube
- Upper and lower static tool bits are placed in plastic insulating cylinder
- Isolation switch is equipped with manual and electric integrated operating mechanism
- Isolation switch is of visual port design. You can observe the position state of the isolation switch clearly through the inspection window on the front-end of the cabinet door

# Foundation Drawing

## 地基图



样本中相关技术数据本公司保留修改权利，更改后恕不另行通知。

# MECAN

## 江苏明及电气股份有限公司

Jiangsu Mecan Electric Co., Ltd.

地址：江苏省武进国家级高新区龙惠路6号

客户热线：400-994-7111

技改专线：400-994-6111

售后专线：400-828-6807

传真：0519-88238777

邮编：213166

官方主页：[www.mecan.net](http://www.mecan.net)

官方微信：[mecanVBM](#)



微信公众号



明及主页

Smart Unit  
Intelligent  
Withdrawable  
Metal-enclosed  
Switchgear